

4

3

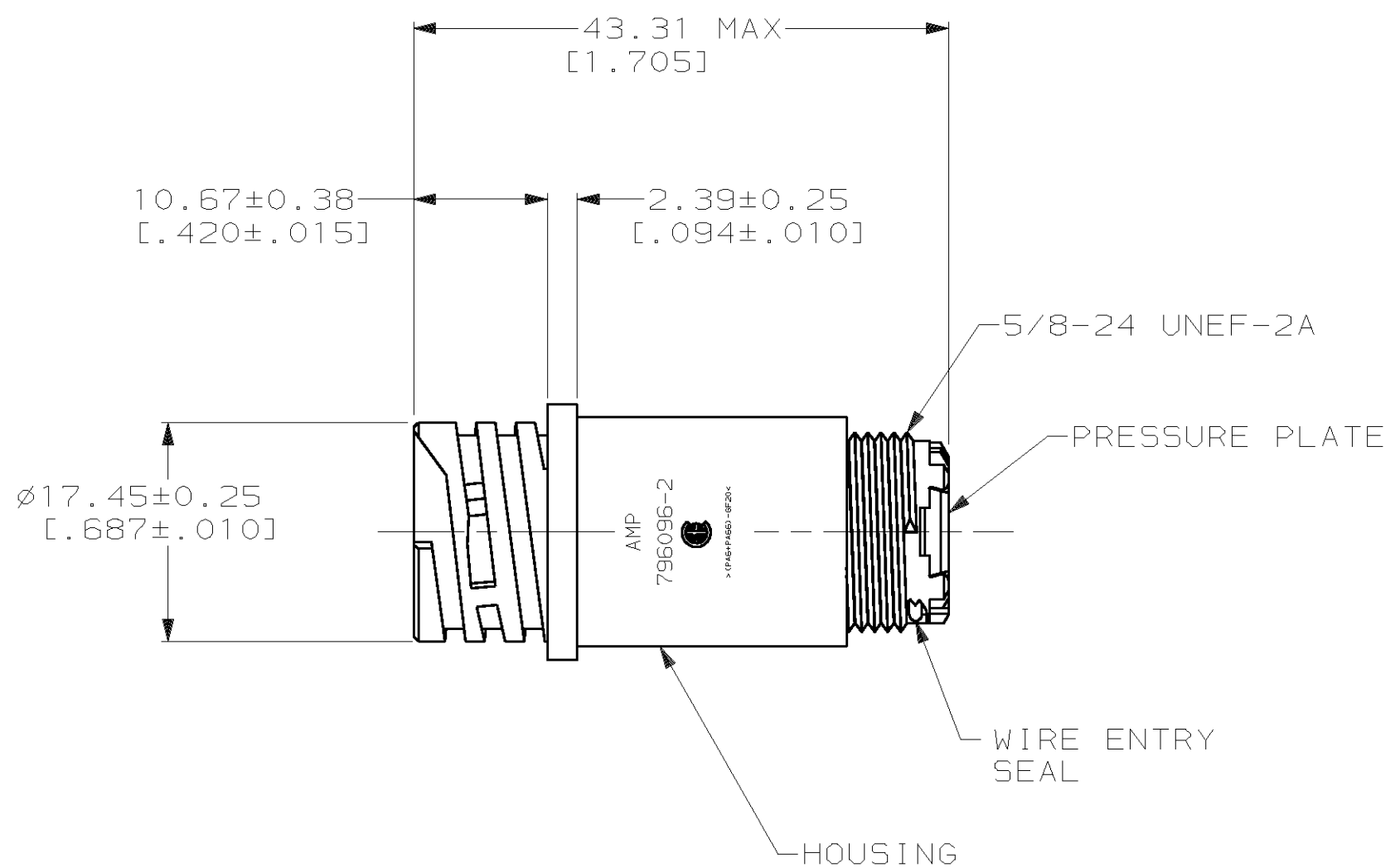
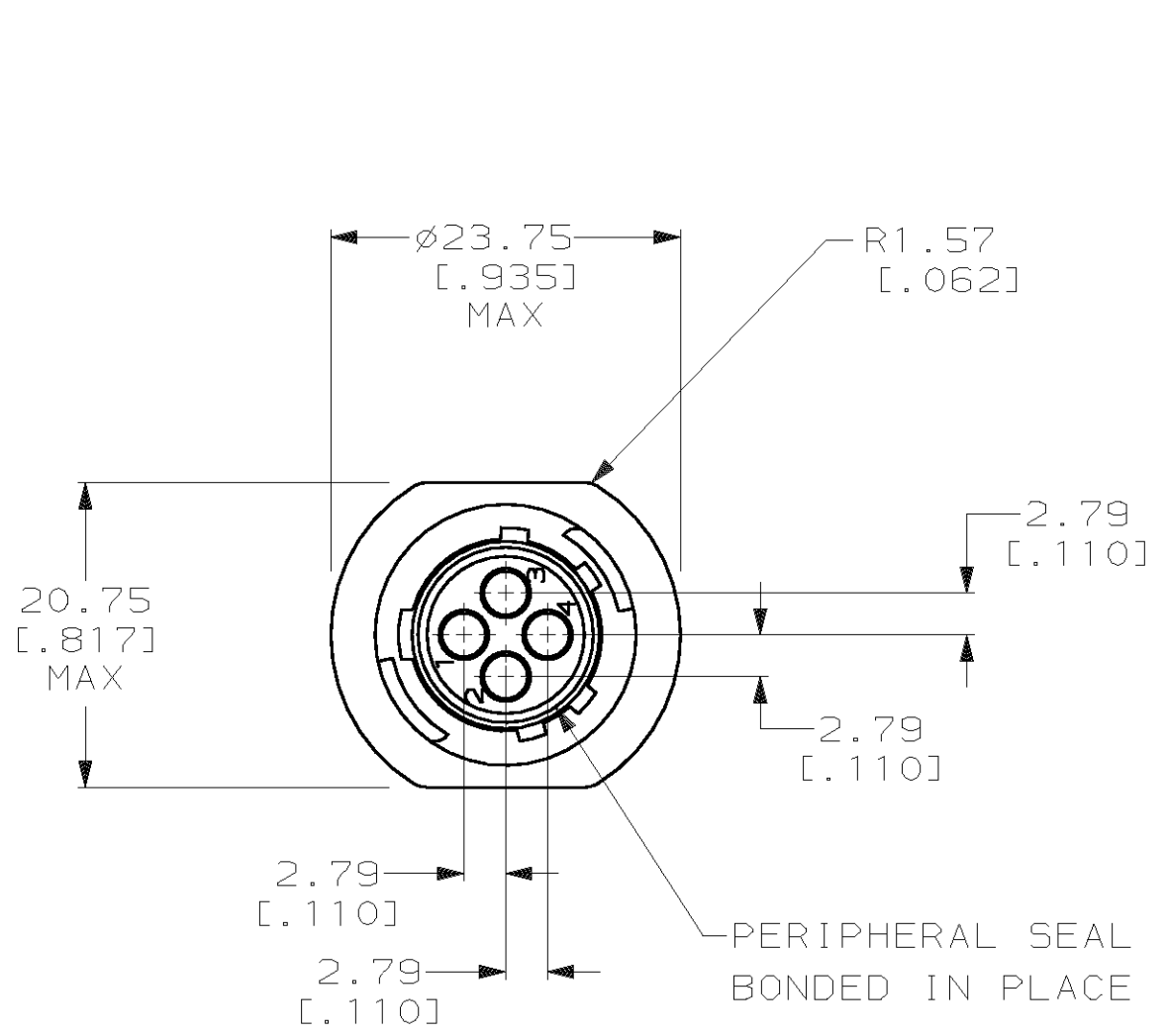
2

1

THIS DRAWING IS UNPUBLISHED. RELEASED FOR PUBLICATION, 19 .

© COPYRIGHT 19 BY AMP INCORPORATED. ALL RIGHTS RESERVED.

LOC	DIST	REVISIONS			
P	LTR	DESCRIPTION	DATE	DWN	APVD
FT	4				
		0	RELEASED PER NPR 5710 WAS 98-7970-13-4	24 SEP 98	-



- THIS PART WILL ACCEPT FOUR (4) MULTIMATE PIN CONTACTS.
- HOUSING AND PRESSURE PLATE: NYLON, BLACK.  
PERIPHERAL SEAL: ELASTOMER, GRAY.  
WIRE ENTRY SEAL: ELASTOMER, RED-IRON OXIDE.

796096-2  
PART NUMBER

THIS DRAWING IS A CONTROLLED DOCUMENT.		DWN C. DORWART 24 SEP 98	AMP Incorporated Harrisburg, PA 17105-3608													
DIMENSIONS: mm [INCHES]		CHK R. WALTER 24 SEP 98														
TOLERANCES UNLESS OTHERWISE SPECIFIED:		APVD R. WALTER 24 SEP 98	NAME RECEPTACLE ASSEMBLY, 11-4, STANDARD SEX, SERIES I, SEALED, CIRCULAR PLASTIC CONNECTOR													
<table border="1"> <tr><td>0 PLC</td><td>±-</td></tr> <tr><td>1 PLC</td><td>±-</td></tr> <tr><td>2 PLC</td><td>±0.13 [0.005]</td></tr> <tr><td>3 PLC</td><td>±-</td></tr> <tr><td>4 PLC</td><td>±-</td></tr> <tr><td>ANGLES</td><td>±-</td></tr> </table>		0 PLC	±-	1 PLC	±-	2 PLC	±0.13 [0.005]	3 PLC	±-	4 PLC	±-	ANGLES	±-	PRODUCT SPEC -	SIZE A3	
0 PLC	±-															
1 PLC	±-															
2 PLC	±0.13 [0.005]															
3 PLC	±-															
4 PLC	±-															
ANGLES	±-															
MATERIAL 2		APPLICATION SPEC -	CAGE CODE 00779	DRAWING NO C- 796096												
FINISH -		WEIGHT -	RESTRICTED TO -													
CUSTOMER DRAWING			SCALE 2:1	SHEET 1 OF 1												
			REV 0													